

MODEL N°
SOLIS OUTDOOR SIDE CHAIR



SOLIS OUTDOOR SIDE CHAIR

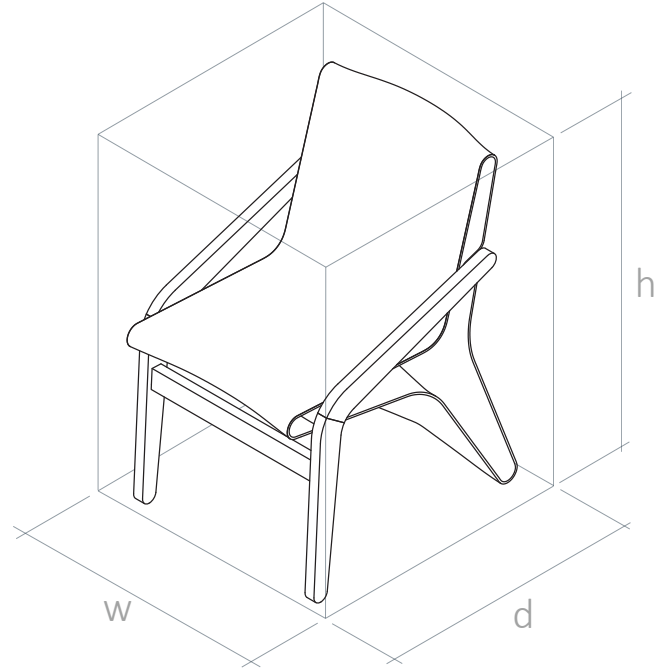
MODEL N°

Engineered for sustainability and long conversations over great food and drinks together, the Solis Outdoor Side Chair has a sculpted high-quality PLA seat is made from upcycled plants that is 3D printed into a remarkably comfortable seat. We mill the base and legs from FSC® Certified hardwood and interlock it with mortise and tenon joinery that endures the test of time. We hand finish this chair with organic oils to bring this elevated design to a refined finish.

The Solis Outdoor Side Chair is made of durable plant-based PLA and high-quality hardwoods that season exceptionally well with your care. Should you prefer this design with arms or want to mix and match, the Solis Outdoor Arm Chair or Bench are perfect complements.

dimensions

width	20.25"
height	33"
depth	26"
seat height	18"



materials

wood species	cherry, salvage elm
bio-resin	white, black, woodprint, desert clay, sea glass, and fern

care

Our hardwood surfaces are finished with an environmentally friendly, plant based, hard wax oil wood finish that has 0% VOC and does not contain any water or solvents. It is protective and durable. Wipe with a damp cloth and gentle cleanser. Avoid water marks by quickly wiping up any standing liquids on the chair. Never use harsh cleaning sprays or abrasives on your wood surfaces. Clean any sticky spots gently with soap or mild detergent and water. Due to natural variations in wood, grain and color can differ from piece to piece.

sustainability

From FSC® certified hardwoods, to plant-based polymers, to GOLS-certified latex, we examine every product for sustainability, quality, and performance. We strive to source our materials locally. Additive manufacturing processes like 3D printing let us produce each piece to order. Limiting inventory minimizes our carbon footprint and also maximizes our product quality. Only the products identified as such in this document are FSC®-certified. FSC® C125400/SCS-COC-007184



customization

With the use of our advanced manufacturing processes, our customers have the freedom to customize their order. From sizing, material choice, fabric color and finish, we can truly design your living space to the customers ideal vision. There is no minimum order quantity as we are aiming to reach a diverse range of customers, from big companies to small homes.