

MODEL N°
LIGHTING
assembly guide

cord

socket cover

socket threads

shade ring

silicone washers

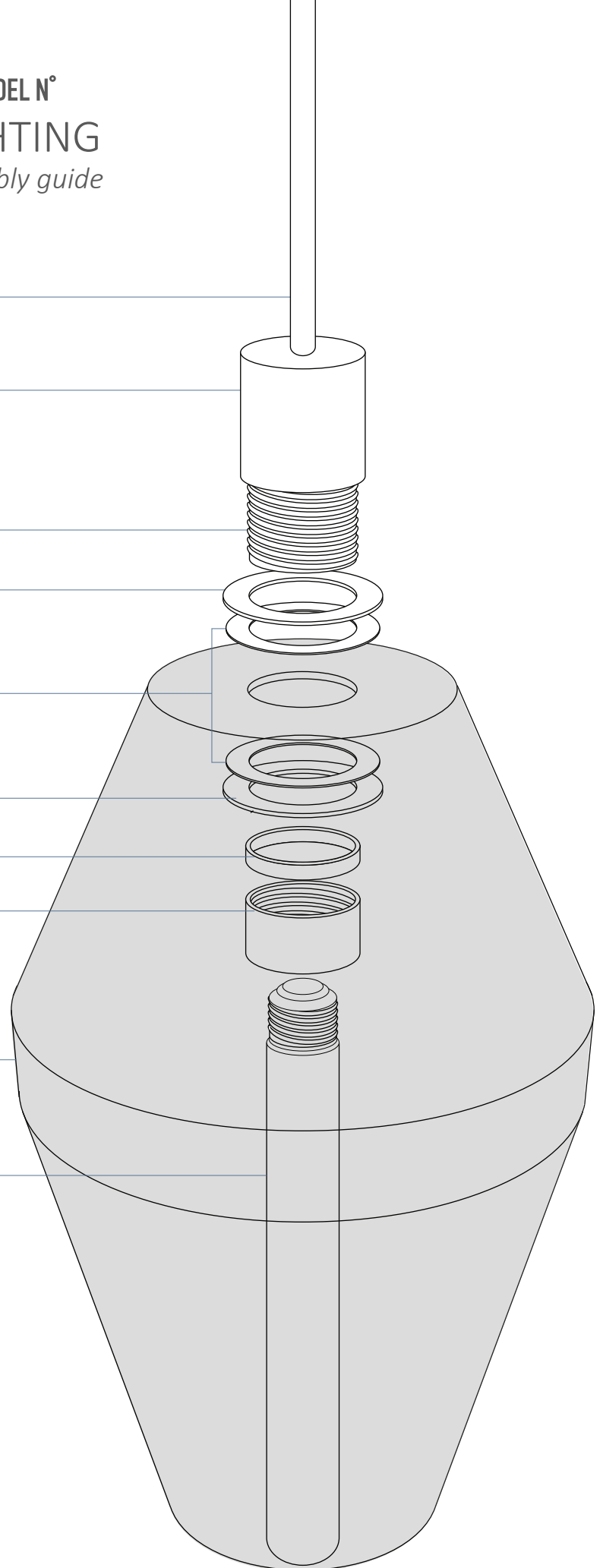
shade ring

spacer

socket thread cover

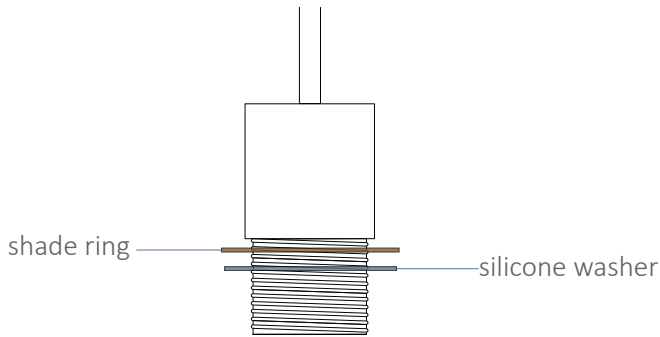
shade

LED tubular bulb



step 1:

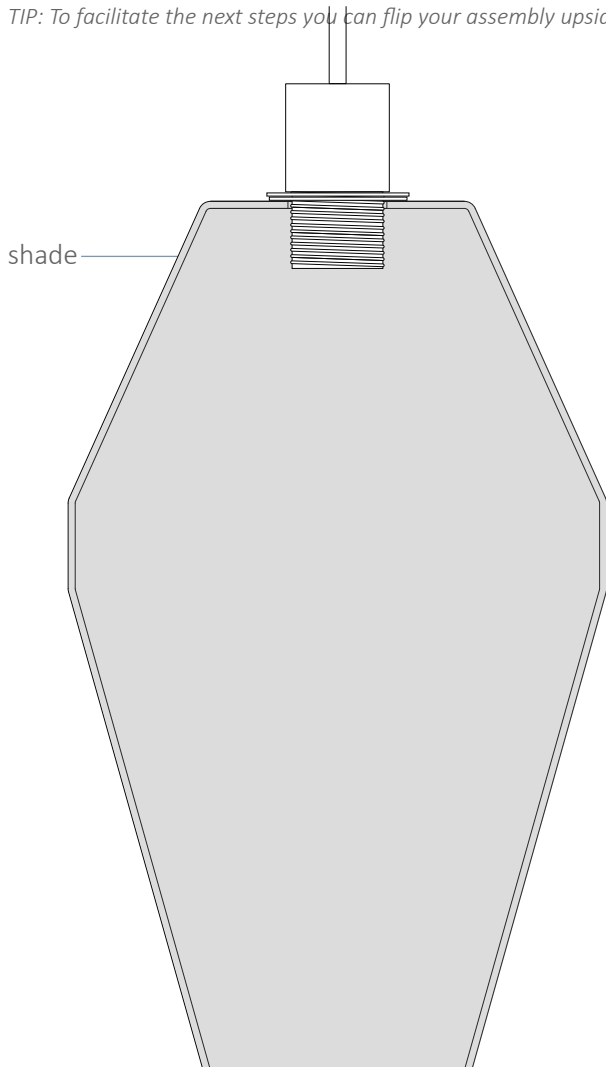
Take the main part (containing cord, socket cover, and threads) and slip 1 **shade ring** and 1 **silicone washer** over the socket threads pushing all the way up. *No screwing necessary*



step 2:

Insert the **socket cover**, thread-first, through the top of the shade.

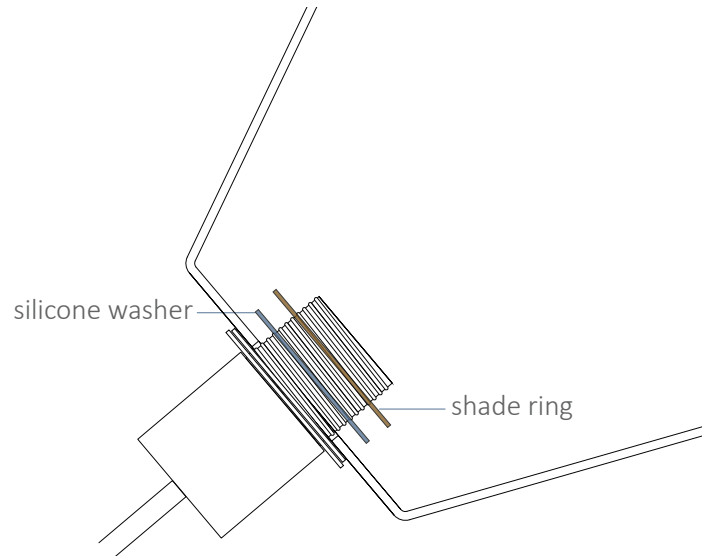
TIP: To facilitate the next steps you can flip your assembly upside down.



step 3:

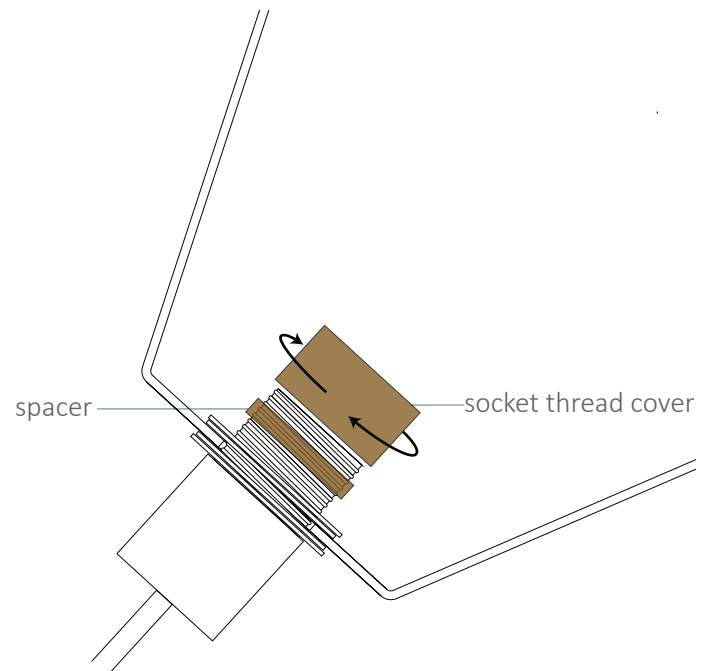
Reach into the shade from the bottom and feel for the socket threads. Slip the other **silicone washer** over the socket threads, following the remaining **shade ring**.

Push both parts all the way up against the top of the shade.



step 4:

Reach into the shade from the bottom and insert the **spacer** over the socket threads and then screw on the **socket thread cover** tightly to assure everything stays in place



step 5:

Lastly, reach into the shade from the bottom and take your LED tubular bulb and thread it into its socket.

MAKE SURE TO DO THIS STEP WHILE THE CORD IS UNPLUGGED

